

# 6.5t Self indicating dynamometer (SID)



**Designed to replace outdated mechanical products still in the field, this 14,300lb (6500kg) Dynamometer, the 'SID', is the latest Crosby SP product to feature their self indicating display.**

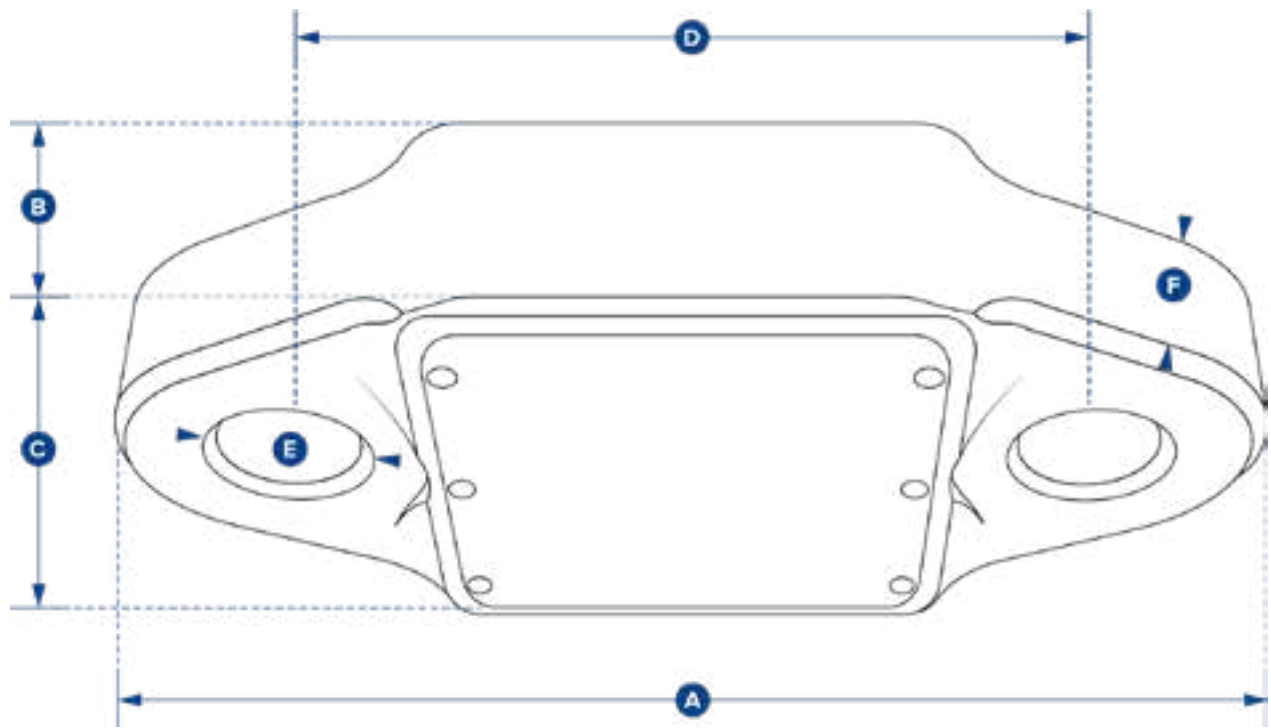
This self-indicating version of the well-known product 'Bluelink' has advanced features and benefits, providing solutions where close-up load monitoring is required, such as when operating lever or chain hoists at height or lifting vehicle motors.

The advanced microprocessor-based electronics provide the SID with high-speed read rates, extreme resistance to industrial-level noise and unprecedented stability. It features full-function push button controls for:

- Tare and preset tare
- Selectable measurement units (lbs, kg, kN and tonnes)
- 100Hz high-speed peak hold
- Audible set-point alarm
- Overload counter

Providing accurate load measurement and incident and injury prevention this dynamometer is rigged using industry-standard shackles such as Crosby G2130, the compact design minimises headroom loss (6.14" or 156mm from eye to eye).

Constructed with high-grade aircraft quality aluminium and with a safety factor of 6:1, its lightweight design does not sacrifice on strength in fact Crosby SP's link style dynamometers are on average 30% lighter than their closest competitor.



#### FEATURES & BENEFITS

- Large 1" / 25mm LCD display
- 0.2% high accuracy
- Overload counter
- 90db Audible set point alarm
- RS-485 serial output
- IP65 / NEMA 4X
- Design validated by F.E.A.
- 2-year warranty

#### APPLICATIONS

- Aircraft (engine) installation & maintenance
- Rigged with gantry crane
- Steel beam fabrication
- General weighing
- Transportation tie downs
- Towing
- Linesman tensioning

Part Number	SID6T5
Crosby Part	2789709
Capacity	6.5 te
	14,300 lb
Resolution	0.001 te
	2 lb
Weight	1.5 kg
	3.3 lb
Safety Factor	6:1
Battery Type	9v PP3
Battery Life	80 hrs continuous
Operating Temp	-10 to +50° C / 14 to 122° F
Accuracy	+/- 0.2% of full scale
Display Type	6 digit 25 mm LCD / 6 digit 1 in LCD
Protection	IP65 / NEMA 4X
Dimension A	224
	8.82
Dimension B	44
	1.73
Dimension C	113
	4.45
Dimension D	156
	6.14
Dimension ØE	27.5
	1.08
Dimension F	33
	1.3